

G03 PRO SERIES

Maximum Flow Rate: 11.7 l/min (3.1 USgpm)
Maximum Pressure: 83 bar (1200 psi) for Metallic Pump Heads
24 bar (350 psi) for Non-metallic Pump Heads

WANNER™ HYDRA-CELL® PRO SEAL-LESS PUMP TECHNOLOGIES



UK
CA CE

G03 Shaft-driven with Stainless Steel pump head

A higher standard of pump performance and energy efficiency.

- Integrates **Wanner Hydra-Cell® Pro** seal-less pump technologies for the highest levels of volumetric and energy efficiencies, up to 90% across the full rpm range.
- Reliably handles a wide range of viscosities and shear sensitivities, corrosive liquids, abrasives, slurries and suspended solids.
- No mechanical dynamic seals, packing, or cups to leak, wear or replace – reduces maintenance, costs and downtime.
- Can run dry indefinitely without damage to the pump.
- Seal-less design API 674 pumps that also exceed API 675 standards for accuracy, linearity and repeatability.
- Pumped media is 100% contained – prevents degradation, contamination and environmental risks.
- Patented ADPC (Advanced Diaphragm Position Control) and hydraulic oil management system protect diaphragms under closed or restricted inlet conditions.
- Reduced ownership costs – acquisition, operation, service, maintenance, and energy use.


WANNER™

G03 Pro Series | Performance

Capacities

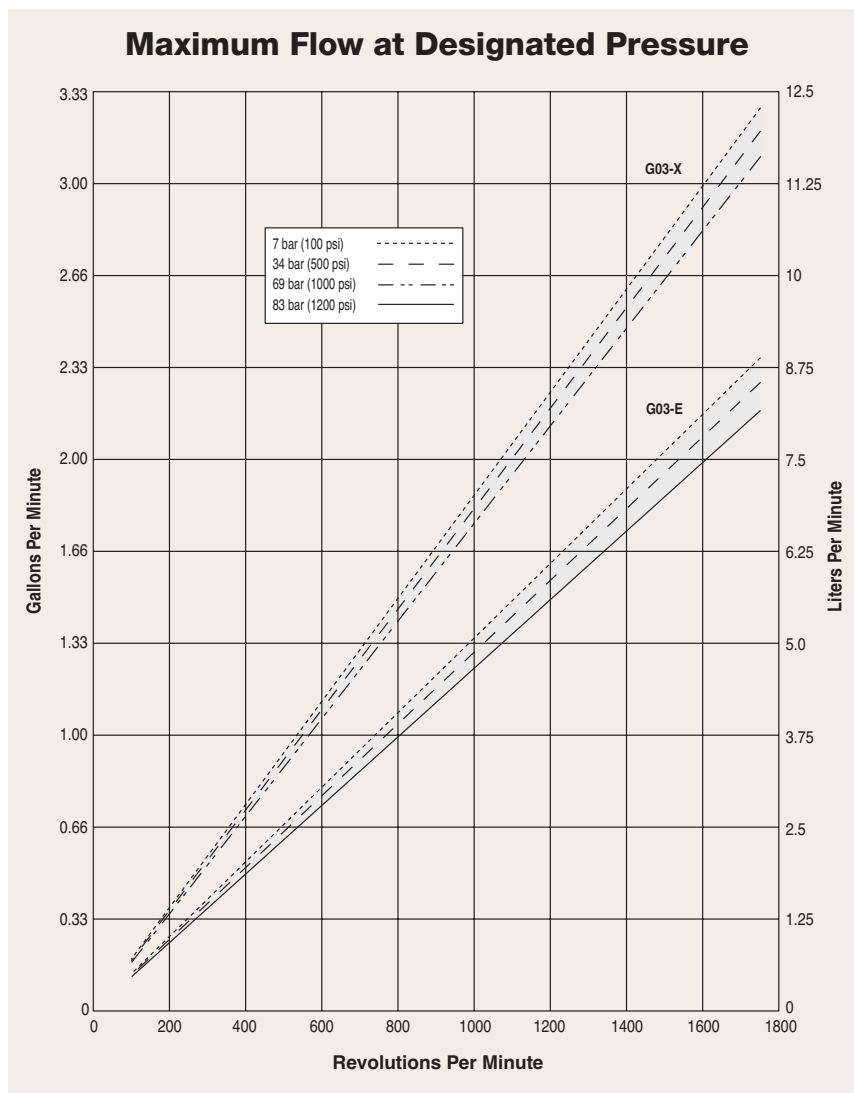
Model	Max. Input rpm	Max. Flow Capacities @69 bar (1000 psi)		Max. Inlet Pressure				Max. Discharge Pressure			
		l/min	USgpm	Metallic Heads		Non-Metallic Heads		Metallic Heads		Non-Metallic Heads	
				bar	psi	bar	psi	bar	psi	bar	psi
G03-X	1750	11.7	3.1	17	250	17	250	69	1000	17	250
G03-E	1750	8.3	2.2	17	250	17	250	69	1000	17	250

Model	Max. Input rpm	Max. Flow Capacities @83 bar (1200 psi)		Max. Inlet Pressure				Max. Discharge Pressure			
		l/min	USgpm	Metallic Heads		Non-Metallic Heads		Metallic Heads		Non-Metallic Heads	
				bar	psi	bar	psi	bar	psi	bar	psi
G03-E	1750	8.1	2.1	17	250	17	250	83	1200	17	250

Performance and specification ratings apply to G03 Kel-Cell and G03 Shaft-driven configurations unless specifically noted otherwise.

Metering & Dosing

API 675 Performance Characteristics of Steady State Accuracy $\pm 1\%$, Linearity $\pm 3\%$ and Repeatability $\pm 3\%$ can be achieved at speeds up to 1440 rpm and pressures up to 24 bar (non-metallic pump heads) or up to 69 bar (metallic pump heads) for X-cam pumps only.



Due to the Wanner Engineering Continuous Improvement Program, specifications and other data are subject to change.

G03 Pro Series | Specifications

Flow Capacities @ 69 bar (1000 psi) 4-pole Motor @ 50 Hz

Model	rpm	l/min	USgpm
G03-X	1450	9.7	2.61
G03-E	1450	6.8	1.885

Flow Capacities @ 69 bar (1000 psi) 6-pole Motor @ 50 Hz

Model	rpm	l/min	USgpm
G03-X	960	6.2	1.64
G03-E	960	4.5	1.18

Delivery @ 83 bar (1200 psi)

Model	litres/rev	gal/rev
G03-E	0.0046	0.0012

Delivery @ 69 bar (1000 psi)

Model	litres/rev	gal/rev
G03-X	0.0067	0.0018
G03-E	0.0047	0.0013

Maximum Discharge Pressure

Metallic Heads: G03-X, E to 69 bar (1000 psi)
G03-E to 83 bar (1200 psi)
G13 to 69 bar (1000 psi)

Non-metallic Heads: 17 bar (250 psi) Polypropylene
24 bar (350 psi) PVDF

Maximum Inlet Pressure

Metallic Heads: 17 bar (250 psi)
Non-metallic Heads: 17 bar (250 psi)

Maximum Operating Temperature

Metallic Heads: 121°C (250°F) - Consult factory for correct component selection for temperatures from 71°C (160°F) to 121°C (250°F).

Non-metallic Heads: 60°C (140°F).

Maximum Solids Size 200 microns

Calculating Required Power

$$\frac{6 \times \text{rpm}}{63,000} + \frac{\text{gpm} \times \text{psi}}{1,460} = \text{electric motor hp}$$

$$\frac{6 \times \text{rpm}}{84,428} + \frac{\text{l/min} \times \text{bar}}{511} = \text{electric motor kW}$$

Attention!

When using a variable frequency drive (VFD) controller, calculate the hp or kW at minimum and maximum pump speed to ensure the correct hp or kW motor is selected. Note that motor manufacturers typically de-rate the service factor to 1.0 when operating with a VFD.

Calculating Pulley Size

$$\frac{\text{motor pulley OD}}{\text{pump rpm}} = \frac{\text{pump pulley OD}}{\text{motor rpm}}$$

Due to the Wanner Engineering Continuous Improvement Program, specifications and other data are subject to change.

Inlet Port

1/2 inch BSPT
1/2 inch NPT
300lb ANSI RF Flange
PN40 DN20 DIN Flange

Discharge Port

3/8 inch BSPT
3/8 inch NPT
600lb ANSI RF Flange
PN100 DN15 DIN Flange

Shaft Diameter

G13: 24 mm (0.945 inch) hollow shaft
G03: 22.2 mm (7/8 inch)

Shaft Rotation

Reverse (bi-directional)

Bearings

Precision ball bearings

Oil Capacity

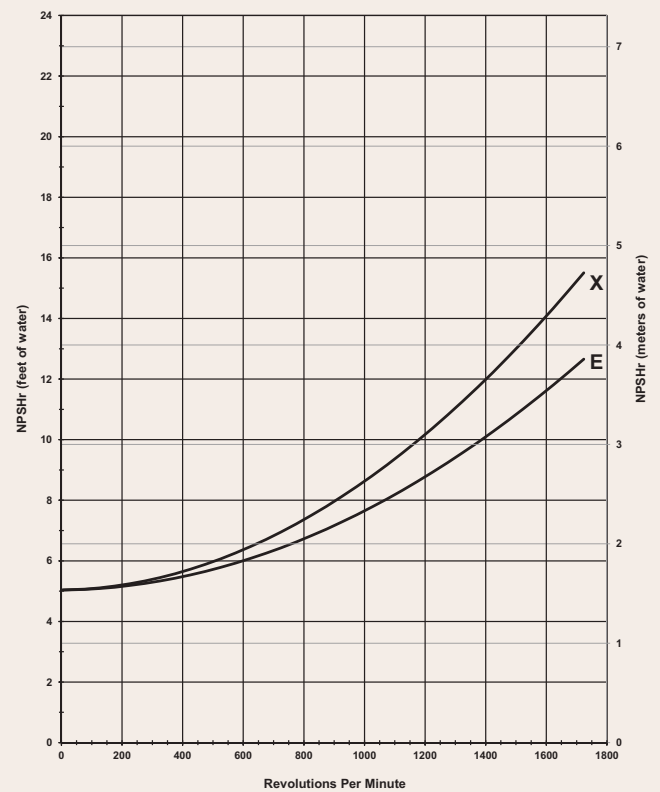
0.95 litres (1.0 US quart)

Weight

Metallic Heads: 12.7 kg (28 lbs.)

Non-metallic Heads: 8.6 kg (19 lbs.)

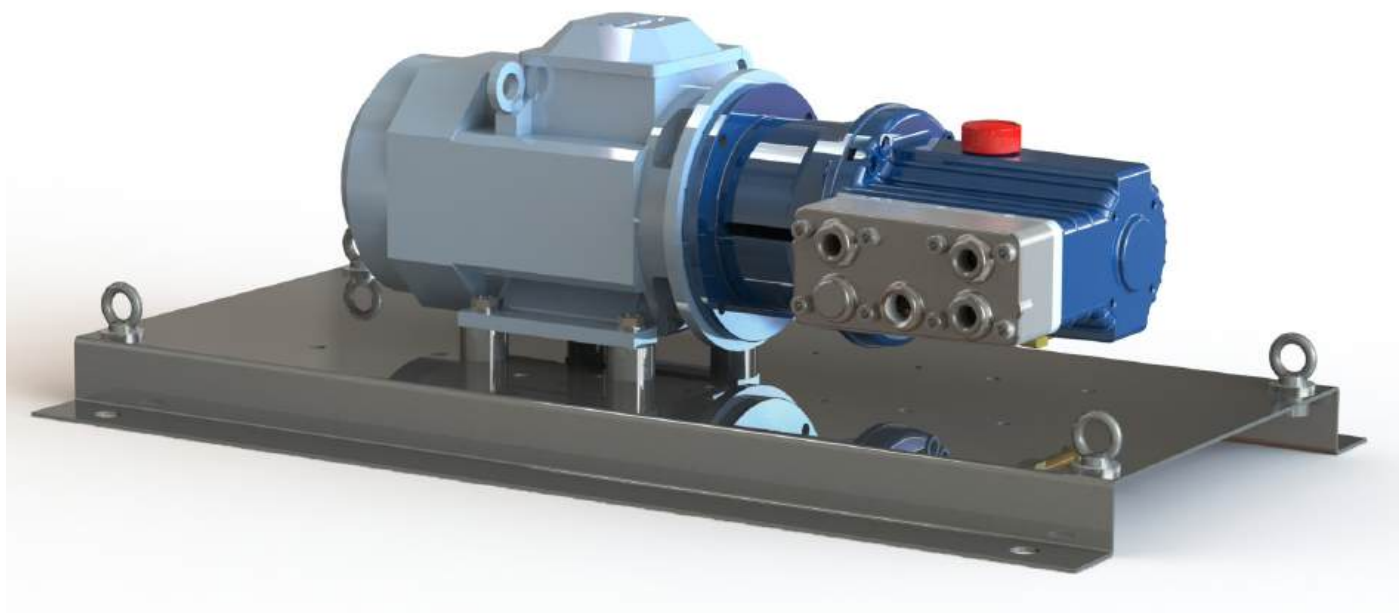
Net Positive Suction Head (NPSHr)



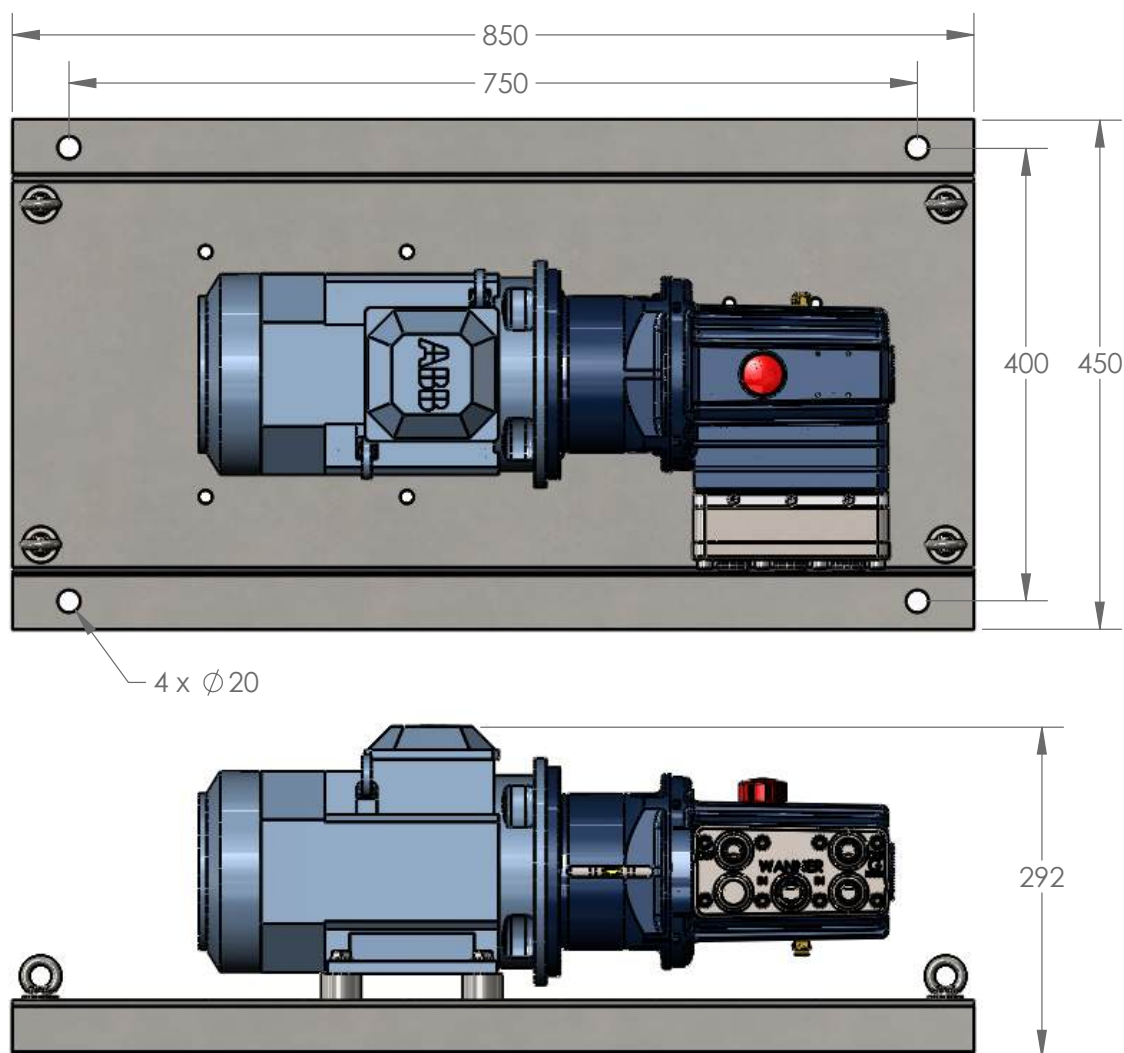
Suction Lift

Each Hydra-Cell pump has different lift capability depending on model size, cam angle, speed, and fluid characteristics. To ensure that your specific lift characteristics are met, refer to the inlet calculations regarding friction, and acceleration head losses in your Hydra-Cell Product Manual. Compare those calculations to the NPSHr curves above.

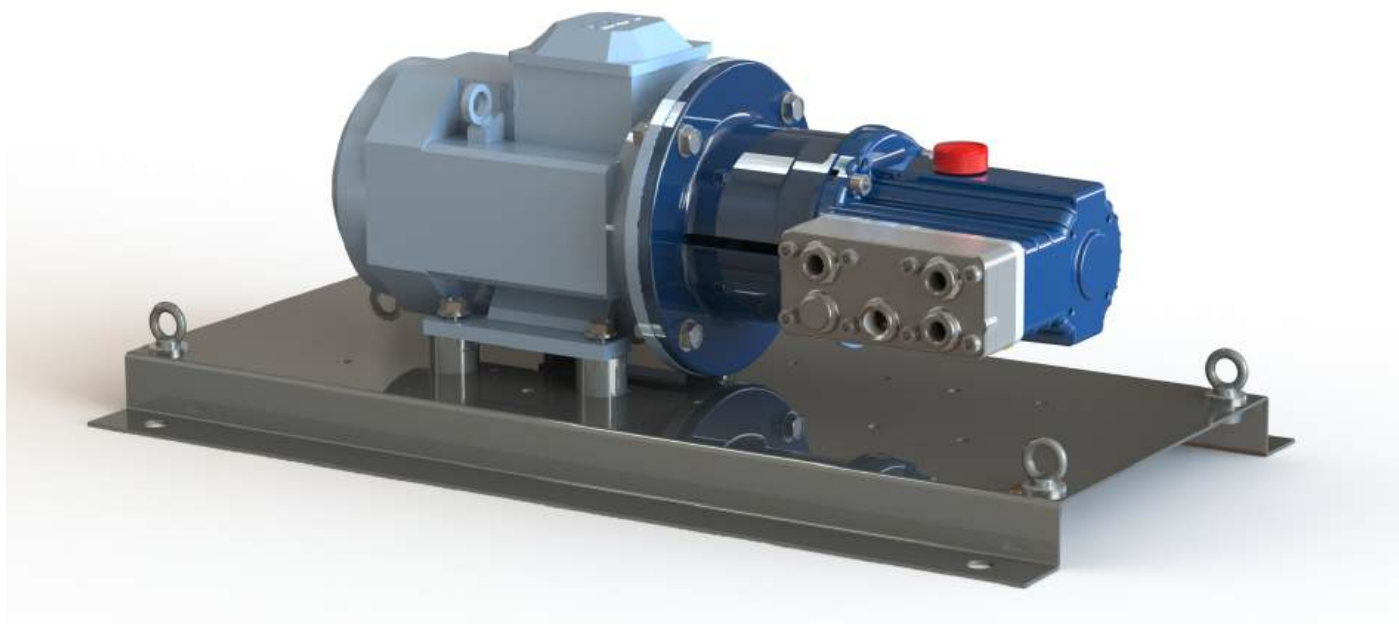
Baseplate Assembly with Motor for IEC 90 Motor Frame



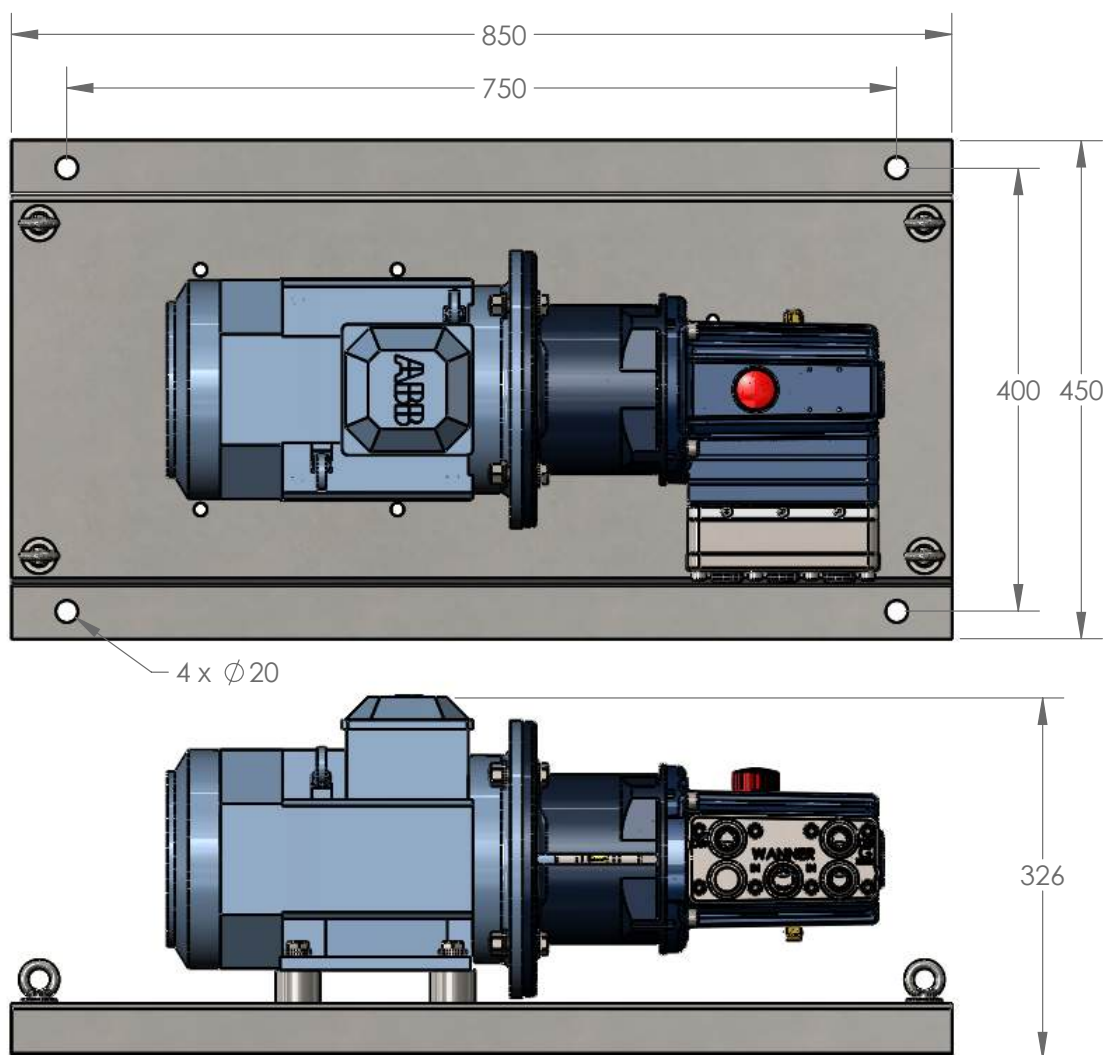
Dimensions in mm



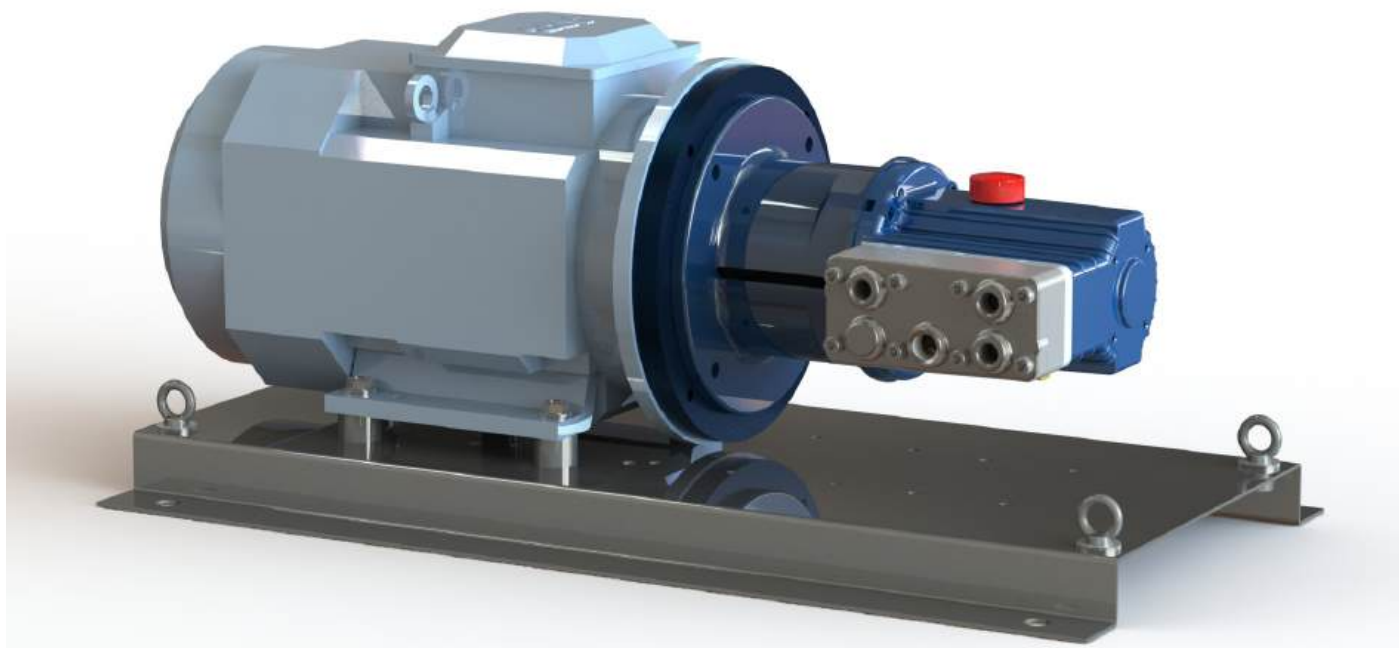
Baseplate Assembly with Motor Adaptor for IEC 100 Motor Frame



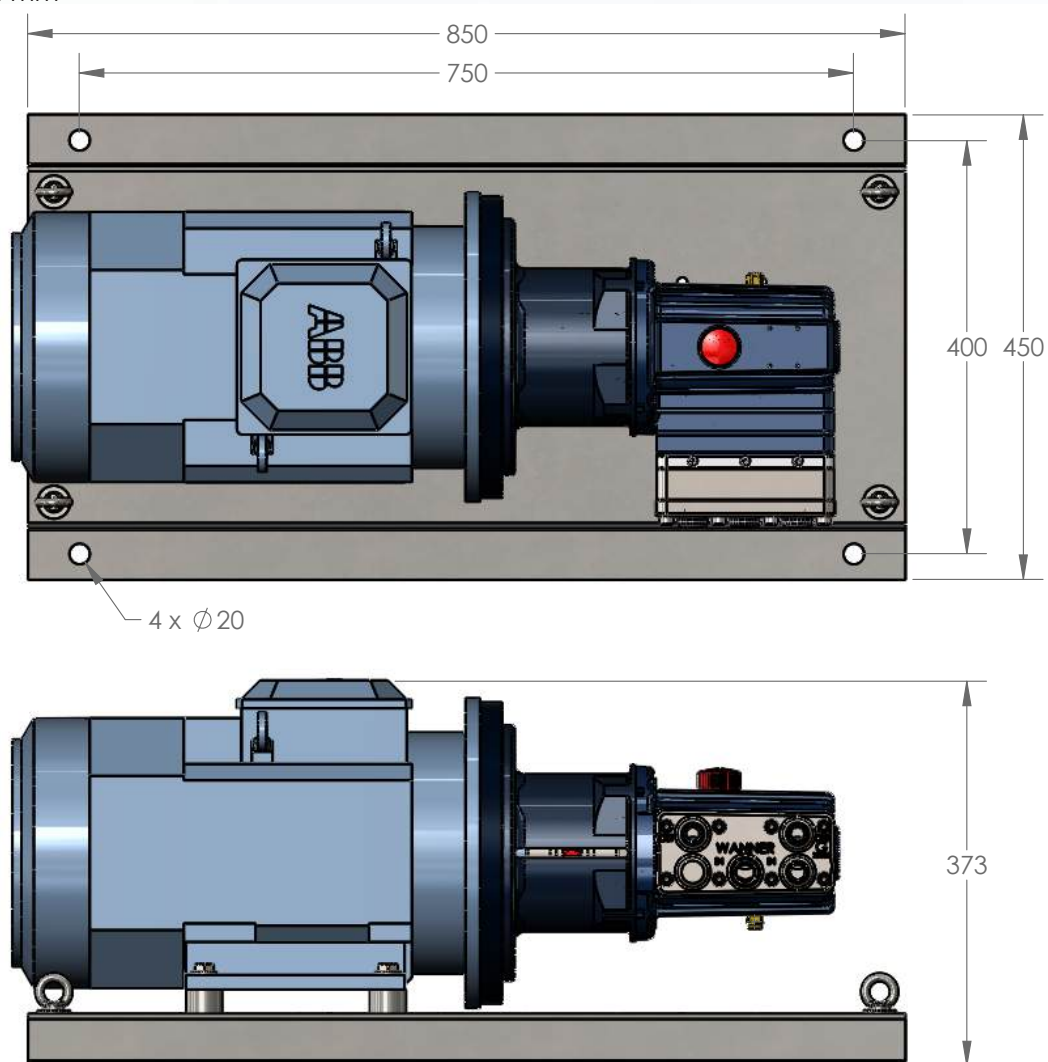
Dimensions in mm



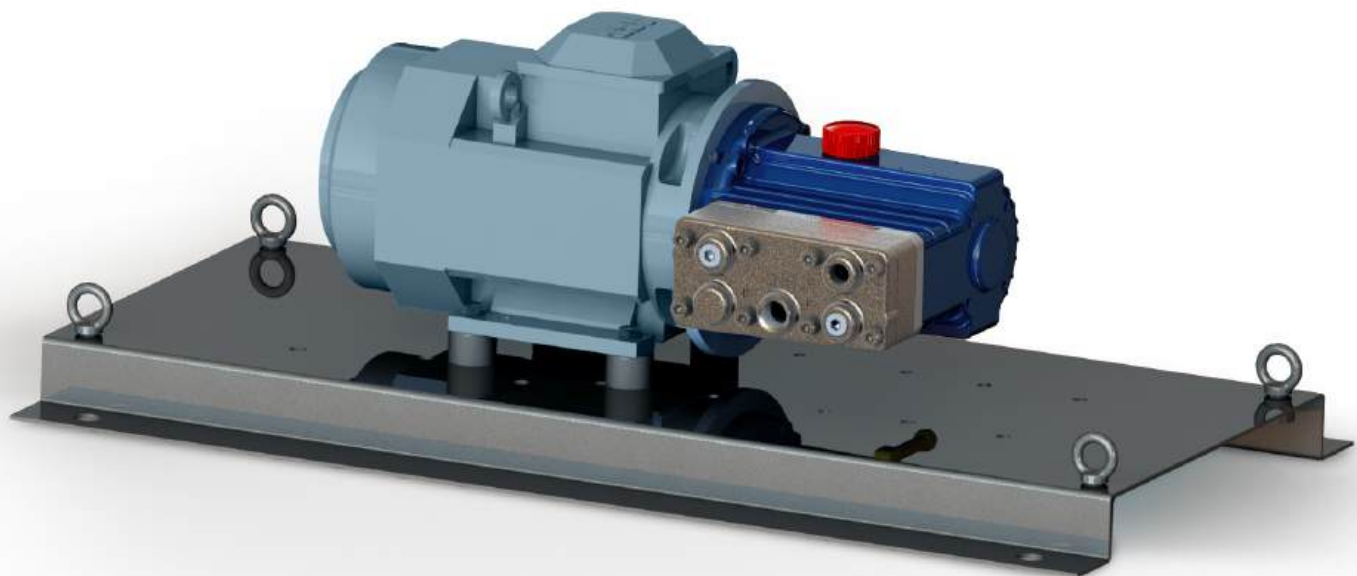
Baseplate Assembly with Motor Adaptor for IEC 132 Motor Frame



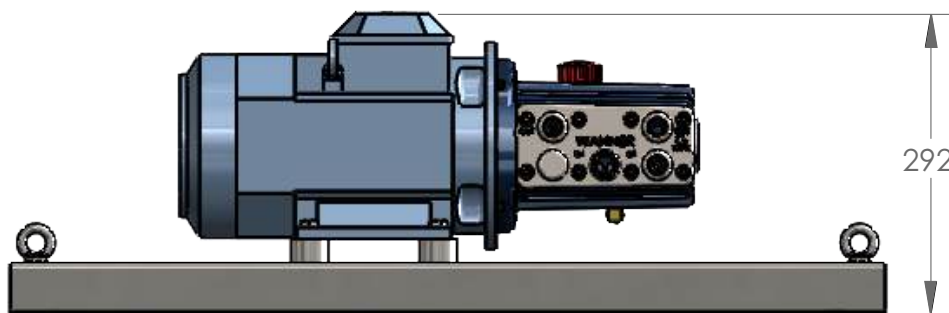
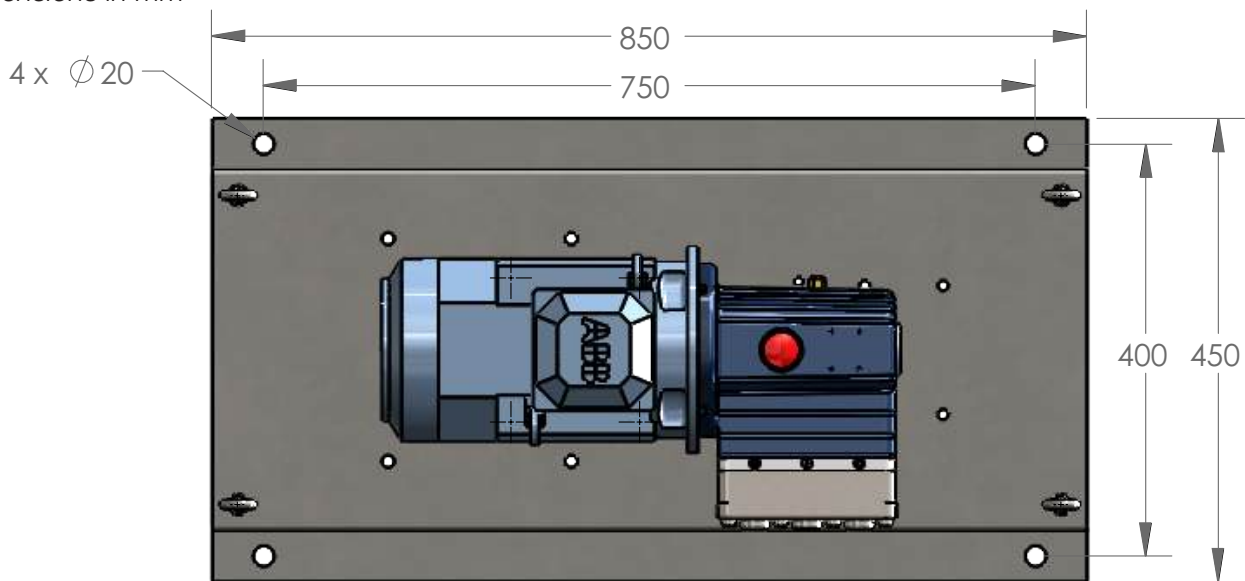
Dimensions in mm



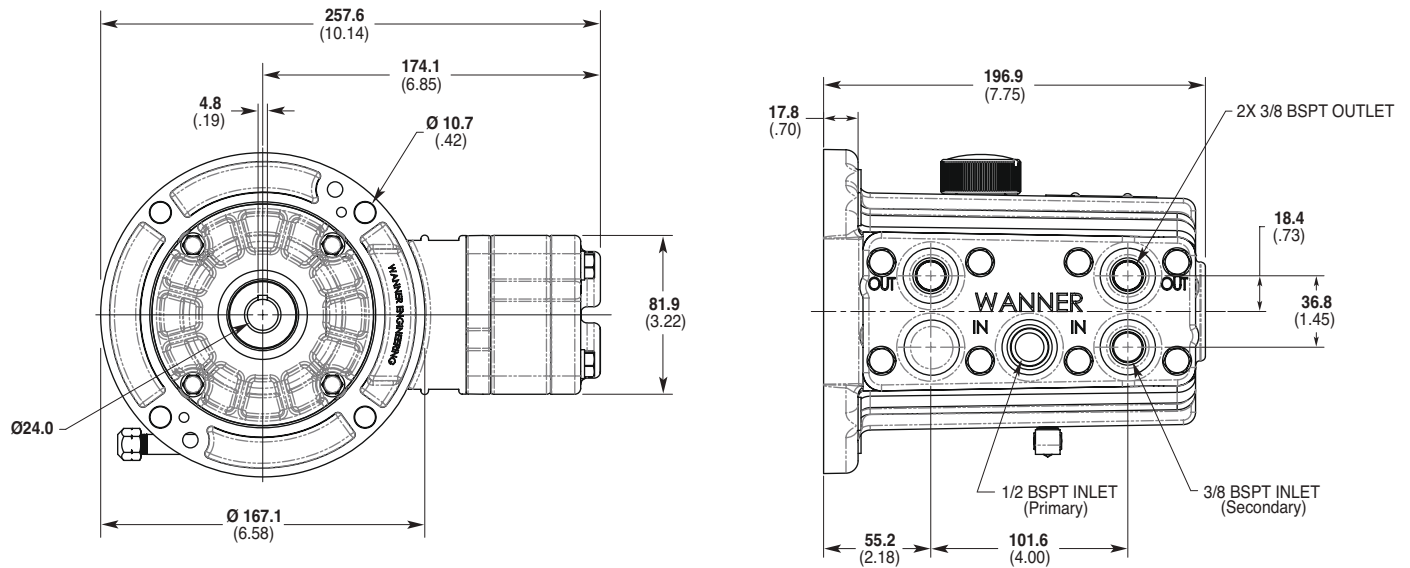
Baseplate Assembly with Motor Adaptor for IEC 90 Motor Frame



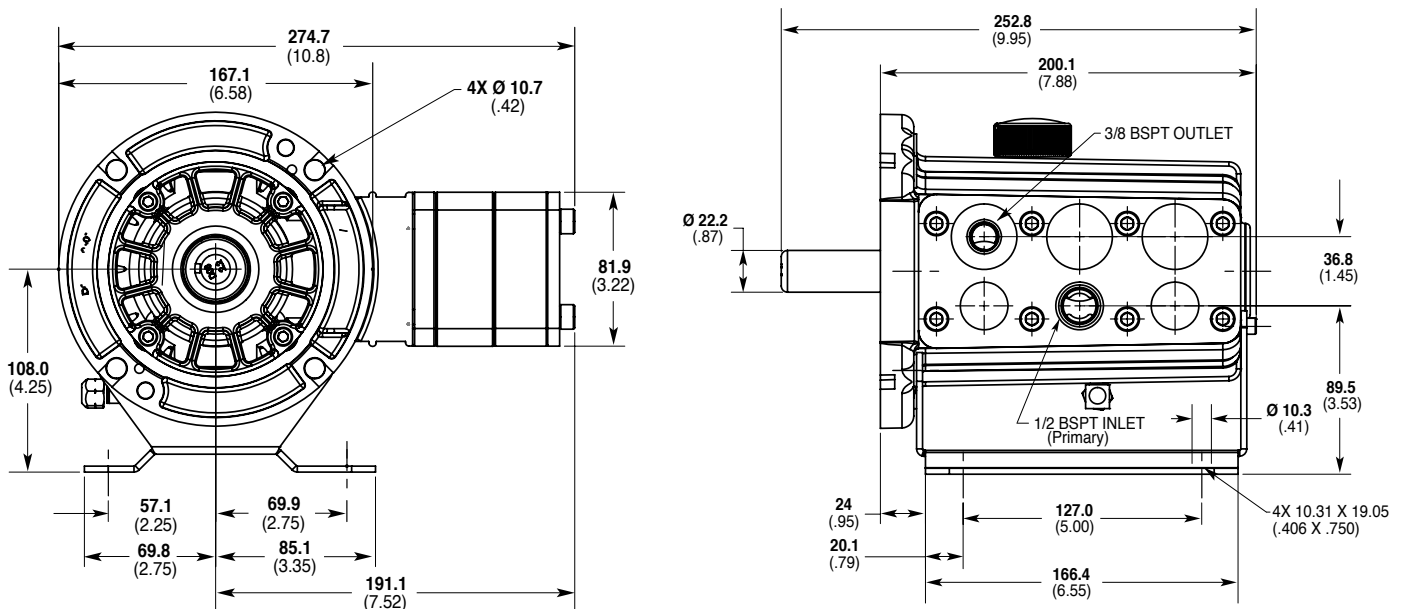
Dimensions in mm



G13 Models with Metallic Pump Head mm (Inches)



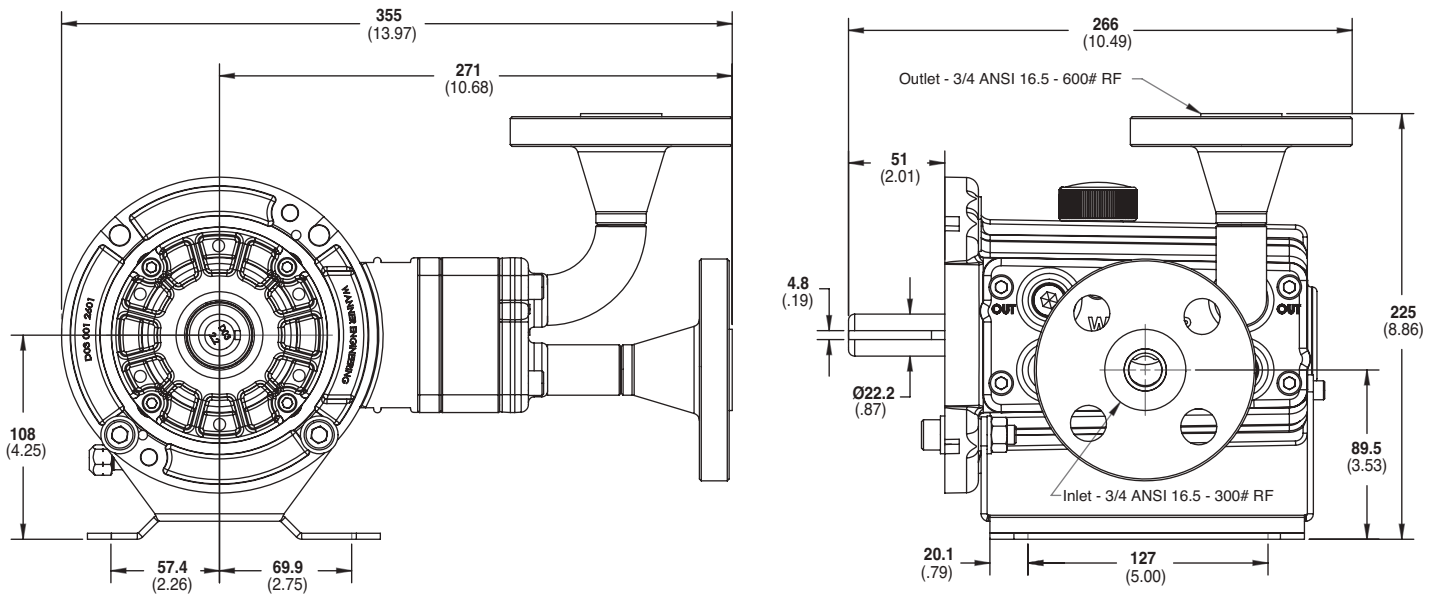
G03 Models with Non-metallic Pump Head mm (Inches)



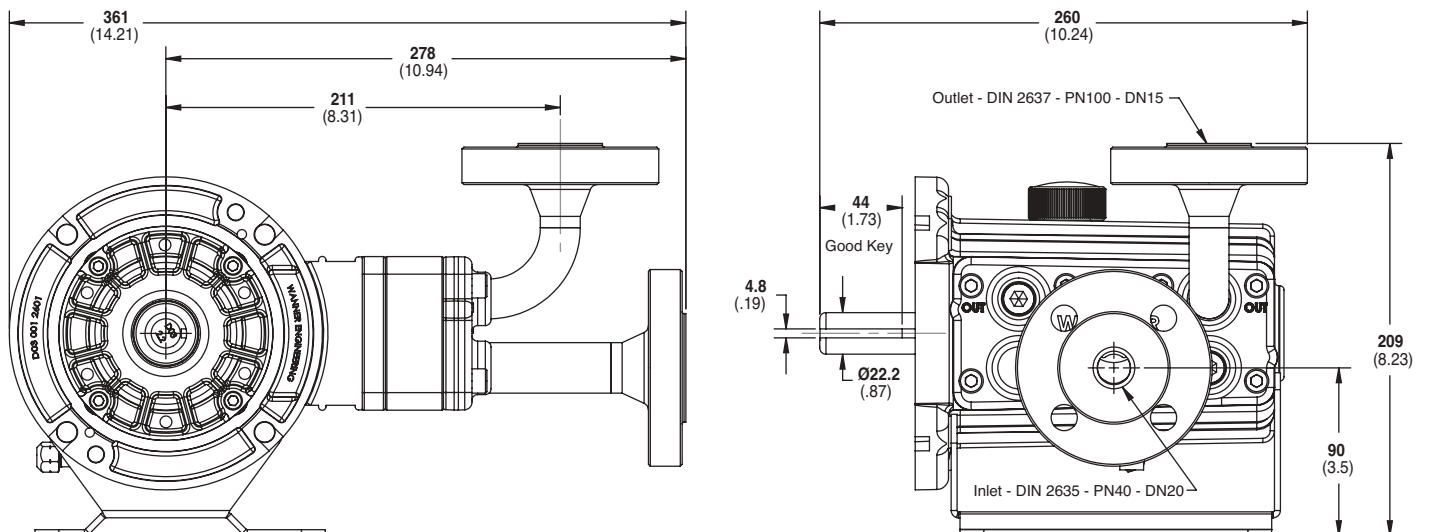
Note: Dimensions are for reference only. Contact factory for certified drawings.

G03 Pro Series | Representative Drawings

G03 Models with ANSI RF Flanges mm (Inches)



G03 Models with DIN Flanges mm (Inches)



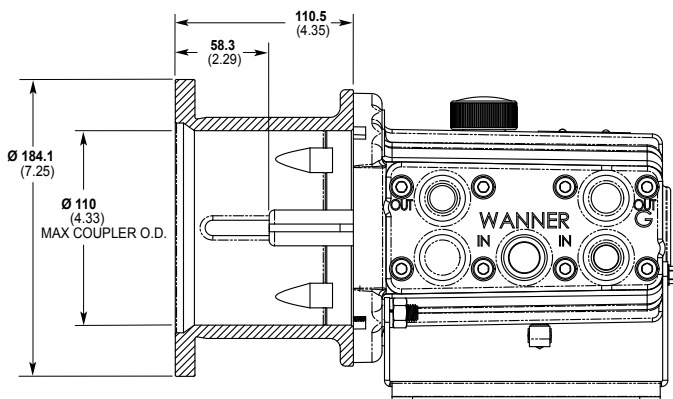
Note: Dimensions are for reference only. Contact factory for certified drawings.

Pump/Motor Adapter mm (Inches)

Part Number: A04-003-1202

Must be ordered separately for G03 models for use with IEC 80 - 90 frame motors, B5 flange.

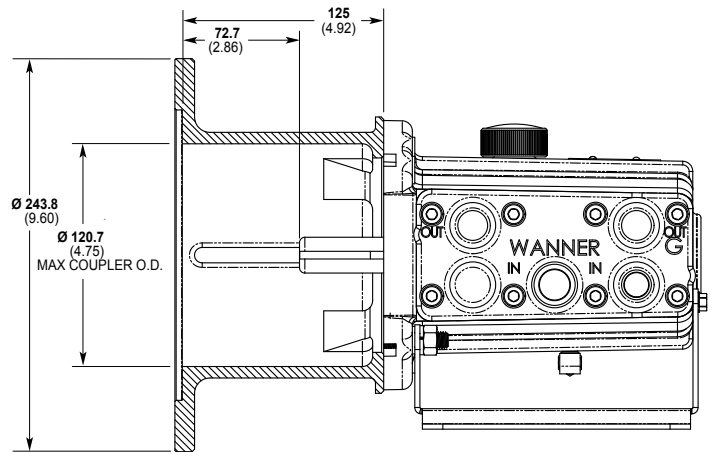
NEMA adaptor available - consult factory.



Part Number: A04-004-1202

Must be ordered separately for G03 models for use with IEC 100 - 112 frame motors, B5 flange.

NEMA adaptor available - consult factory.



Valve Selection

A Hydra-Cell G03 pumping system uses a **C46 Pressure Regulating Valve**.



G03 Pro Series | Options

Contact Wanner International for:

- Motors, bases, couplings and other pump accessories
- Hydra-Oil selection and specification information
- Design considerations, installation guidelines, and other technical assistance in pump selection



G13 Close-coupled with Brass pump head



G13 Close-coupled with Polypropylene pump head



G03 with Stainless Steel pump head and ANSI RF flanges



G03 Shaft-driven with Stainless Steel pump head

Ordering Information

A complete G03 Pro Series Model Number contains 12 digits including 9 customer-specified design and materials options, for example: G03EMBPSFEPG.

1	2	3	4	5	6	7	8	9	10	11	12
G		3		K							

Digit	Order Code	Description
1-3		Pump Configuration
	G03	Shaft-driven (BSPT Ports)*
	G13	Close-coupled to IEC 90 footed motor (BSPT Ports)
		*Pump/motor adapters ordered separately. See page 11.
4		Hydraulic End Cam
	X	Max 9.7 l/min (2.6 USgpm) @ 1450 rpm
	E	Max 6.8 l/min (1.8 USgpm) @ 1450 rpm
5		Pump Head Version
	K	Kel-Cell BSPT Ports
		<i>See lower right for ATEX Certification Kit Options.</i>
6		Pump Head Material
	B	Brass
	M	PVDF
	P	Polypropylene
	R	316L Stainless Steel with ANSI RF Flanges, Class 300lb x 600lb
	1	316L Stainless Steel with DIN Flanges, Class PN40 DN20 x PN100 DN15♦
	S	316L Stainless Steel
	T	Hastelloy CW12MW
		♦ Selecting this option will result in a Wanner International generated Pump Code, stamped onto the pump.
7		Diaphragm & O-ring Material
	A	Aflas diaphragm / PTFE o-ring
	E	EPDM (requires EPDM-compatible oil - Digit 12 oil code J)
	G	FKM
	J	PTFE
	P	Neoprene
	T	Buna-N
8		Valve Seat Material
	C	Ceramic
	D	Tungsten Carbide
	H	17-4 Stainless Steel
	S	316L Stainless Steel
	T	Hastelloy C

Digit	Order Code	Description
9		Valve Material
	C	Ceramic
	D	Tungsten Carbide
	F	17-4 Stainless Steel
	N	Nitronic 50
	T	Hastelloy C
10		Valve Springs
	E	Elgiloy
	T	Hastelloy C
11		Valve Spring Retainers
	C	Celcon
	H	17-7 Stainless Steel (used with metallic heads only)
	M	PVDF
	P	Polypropylene
	T	Hastelloy C (used with metallic heads only)
	Y	Nylon
12		Hydra-Oil
	A	10W30 standard-duty oil
	G	5W30 cold-temp severe-duty synthetic oil
	J	20-wt EPDM-compatible oil
	K	Food-contact oil



ATEX Certification Kit Options

As a separate line on your order, please add the required ATEX Certification Kit Option.

- ATEX 2014/34/EU Certified, Category 2, Zone 1
- ATEX 2014/34/EU Certified, Category 3, Zone 2

- All options include Certificate, Oil Level Monitor or Sight Glass, Earth Stud & Secondary ATEX Label.
- Extra oil is required to fill the oil bowl during installation of ATEX pumps. This oil is not included and must be ordered separately.

Partners in over 70 countries



Global Sales and Technical Support

Americas

- Minneapolis, Minnesota USA
- Wichita Falls, Texas USA
- São Paulo, Brazil
- Buenos Aires, Argentina

EMEA | Australia

- Hampshire, United Kingdom
- Cairo, Egypt
- Remagen, Germany

Asia | Pacific

- Kowloon, Hong Kong
- Shanghai, China
- Jakarta, Indonesia

India

- Mumbai, India
- New Delhi
- Bangalore
- Gujarat

Wanner worldwide

GLOBAL SALES & TECHNICAL SUPPORT

WANNER ENGINEERING, INC.

WORLD HEADQUARTERS & MANUFACTURING

Minneapolis, Minnesota USA
t: 612-332-5681
e: sales@wannereng.com
Hydra-Cell.com

REGIONAL OFFICE

Wichita Falls, Texas USA
t: 940-322-7111
e: sales@wannereng.com

LATIN AMERICAN OFFICE

São Paulo, Brazil
t: +55 (11) 99582-1969
e: mmagoni@wannereng.com
Hydra-Cell-Pumps.com.br

WANNER INTERNATIONAL, LTD.

UNITED KINGDOM

Church Crookham,
Hampshire UK GU52 8BF
t: +44 (0) 1252 816847
e: support@wannerint.com
Hydra-Cell.co.uk

WANNER PUMPS, LTD.

Kowloon, HONG KONG
t: +852 3428 6534
e: sales@wannerpumps.com
WannerPumps.com

Shanghai, CHINA
t: +86-21-6876 3700
e: sales@wannerpumps.com
WannerPumps.com

WANNER INDIA PVT. LTD.

Mumbai, INDIA
t: +91 (22) 22044766
e: support@wannerindia.com
WannerIndia.com

