

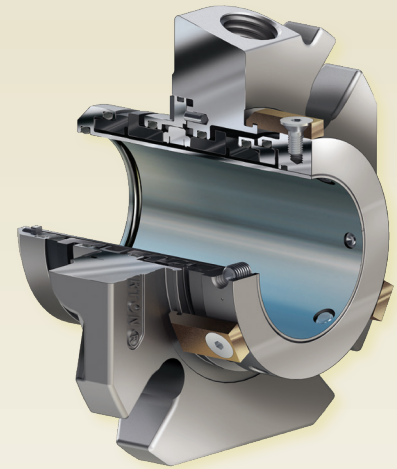
2510

General Duty Double Cartridge Seal

Simple Installation and Increased Plant-Wide Reliability in General-Duty Applications

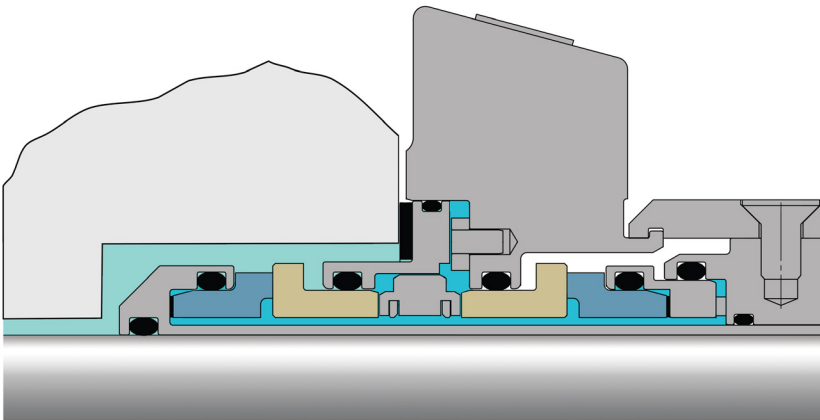
Built on Chesterton's AXIUS™ platform of performance cartridge seals, the Chesterton® 2510 Double Cartridge Seal is designed for maximum reliability, making it an ideal solution for plant-wide standardization of general-duty applications in a field-repairable package. Engineered with a hydraulically double balanced construction, the seal is designed to endure any pressure reversals, shifts, or surges, keeping the faces reliably closed.

The 2510 Double Cartridge Seal offers increased cooling and flow capabilities, resulting in cooler operating seal faces – even at elevated temperatures – through the design of unique sleeve and gland features. Integrating proven technologies from Chesterton's long history of mechanical seal designs, the 2510 Double Cartridge Seal sets the new standard for general-duty double cartridge seals.



Advantages

- Improved motion capabilities to handle both static/dynamic misalignments and shaft motion
- Reliable through temperature cycling and intermittent operation due to monolithic seal faces
- Helps prevent damage to your equipment and internal components via true non-fretting design



SPECIFICATIONS

Operating Parameters

Sizes	25 mm – 120 mm (1.000" – 4.750")
Pressure*	711 mm or 28" Hg Vacuum to 20 bar g (300 psig)
Maximum Barrier Fluid Pressure	17 barg (250 psig) for sizes up to 65 mm (2.625") 14 barg (200 psig) for sizes 70 mm (2.750") – 120 mm (4.750")
Temperature	-55°C – 300°C (-67°F – 570°F) Temperature limits depend on actual elastomers used
Speed	25 m/s (5000 fpm)

Applicable Standards and Available Approvals

ISO-3069C, ASME B73.1, B73.2

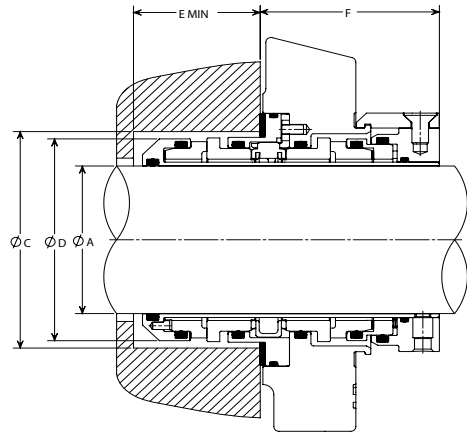
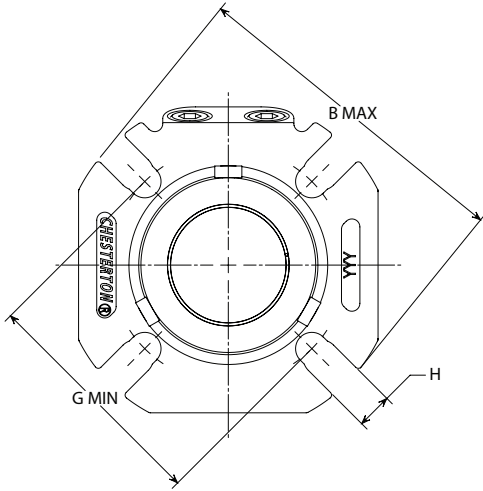
*Seal pressure capabilities are dependent on the fluid sealed, temperature, speed, and seal face combinations.

For operation outside these limits and for additional materials please contact Chesterton Mechanical Seal Engineering.

Materials of Construction

Rotary Faces	CB
	SSC
	TC
Stationary Faces	SSC
	TC
Elastomers	FKM
	EPDM
	FEPM
	FFKM
Metal Parts	EN 1.4401 (316 Stainless Steel)
Springs	EN 2.4819 (Alloy C-276)

Dimensional Data



2510 KEY

- A – Shaft Size
- B – Maximum Gland Diameter
- C – Seal Chamber Bore
- D – Seal Outside Diameter
- E – Minimum Seal Chamber Depth
- F – Outboard Seal Length
- G – Minimum Bolt Circle by Bolt Size
- H – Slot Width

Metric

A	B MAX	C MIN	C MAX	D MAX	E MIN	F MAX	10 mm	12 mm	G MIN	16 mm	20 mm	H
25 mm	104.2	44.2	51.0	40.2	34.8	53.9	73.4	—	—	—	—	11.4
28 mm	104.2	47.3	51.8	42.7	34.8	53.9	73.4	—	—	—	—	11.4
30 mm	104.2	49.3	56.6	44.8	34.8	53.9	78.2	—	—	—	—	11.4
30 mm (OS)	126.8	59.5	68.3	44.8	34.8	53.9	90.0	—	—	—	—	11.2
32 mm	110.8	51.1	57.6	46.8	34.8	53.9	80.4	—	—	—	—	11.4
33 mm	110.8	52.1	58.6	47.8	34.8	53.9	79.9	81.9	—	—	—	14.7
35 mm	110.8	54.2	59.1	49.6	34.8	53.9	83.5	85.5	—	—	—	14.7
38 mm	114.1	57.2	61.9	55.9	37.1	53.9	86.9	88.9	—	—	—	14.7
40 mm	126.8	59.2	68.3	57.7	37.1	53.9	90.3	92.3	—	—	—	14.7
40 mm (OS)	126.8	69.4	74.6	57.7	37.1	53.9	96.5	—	—	—	—	11.2
42 mm	126.8	61.3	68.3	60.8	37.1	53.9	90.3	92.3	—	—	—	14.7
43 mm	126.8	62.3	68.8	60.8	37.1	53.9	94.4	96.4	—	—	—	14.7
45 mm	139.2	64.3	73.4	62.8	37.1	53.9	95.2	97.2	—	—	—	14.7
48 mm	139.2	67.1	73.6	65.8	37.1	53.9	95.6	97.6	—	—	—	14.7
50 mm	139.2	69.1	78.4	67.9	37.1	53.9	100.3	102.3	—	—	—	14.7
50 mm (OS)	152.2	85.4	94.4	67.9	37.1	53.9	118.6	120.6	—	—	—	14.5
53 mm	152.2	72.2	87.3	72.7	37.1	53.9	108.6	110.6	114.6	—	—	17.8
55 mm	152.2	74.2	81.0	72.7	37.1	53.9	104.8	106.8	110.8	—	—	17.8
58 mm	152.2	77.3	91.9	78.0	37.1	53.9	116.6	118.6	122.6	—	—	17.8
60 mm	152.2	79.3	91.9	78.0	37.1	53.9	116.6	118.6	122.6	—	—	17.8
60 mm (OS)	164.7	96.3	107.9	78.0	37.1	53.9	129.8	131.8	—	—	—	14.5
65 mm	163.9	84.1	100.0	84.4	37.1	53.9	127.7	129.7	133.7	—	—	17.8
70 mm	195.9	95.6	113.0	93.5	49.1	63.8	—	136.9	140.9	—	—	17.8
75 mm	201.7	100.6	119.3	99.6	49.1	63.8	—	142.8	146.8	—	—	17.8
80 mm	203.0	105.5	122.4	103.4	49.1	63.8	—	149.9	153.9	—	—	17.8
85 mm	211.1	110.5	128.7	109.0	49.1	63.8	—	152.1	156.1	160.1	—	20.8
90 mm	214.4	115.6	132.0	113.3	49.1	63.8	—	159.6	163.6	167.6	—	20.8
95 mm	221.5	120.4	138.4	118.7	49.1	63.8	—	161.4	165.4	169.4	—	20.8
100 mm	227.6	125.5	144.7	125.0	49.1	63.8	—	168.4	172.4	176.4	—	20.8
105 mm	228.4	130.6	151.1	131.4	49.1	63.8	—	174.9	178.9	182.9	—	20.8
110 mm	237.3	135.7	154.1	134.4	49.1	63.8	—	177.8	181.8	185.8	—	20.8
115 mm	241.1	140.5	160.5	140.8	49.1	63.8	—	184.1	188.1	192.1	—	20.8
120 mm	266.5	145.6	163.8	144.1	49.1	63.8	—	187.3	191.3	195.3	—	20.8

Inch

A	B MAX	C MIN	C MAX	D MAX	E MIN	F MAX	3/8"	1/2"	G MIN	5/8"	3/4"	H
1.000	4.10	1.75	2.01	1.58	1.37	2.12	2.88	—	—	—	—	0.45
1.125	4.10	1.88	2.04	1.70	1.37	2.12	2.88	—	—	—	—	0.45
1.125 (OS)	4.49	2.61	2.94	1.70	1.37	2.12	3.77	—	—	—	—	0.44
1.250	4.10	2.00	2.27	1.84	1.37	2.12	3.15	—	—	—	—	0.45
1.375	4.36	2.13	2.33	1.95	1.37	2.12	3.27	3.40	—	—	—	0.58
1.375 (OS)	5.39	2.73	2.94	1.95	1.37	2.12	3.78	—	—	—	—	0.44
1.500	4.49	2.25	2.44	2.20	1.46	2.12	3.41	3.53	—	—	—	0.58
1.625	4.99	2.38	2.69	2.32	1.46	2.12	3.51	3.64	—	—	—	0.58
1.750	5.48	2.50	2.81	2.45	1.46	2.12	3.63	3.76	—	—	—	0.58
1.750 (OS)	6.65	3.48	3.75	2.45	1.46	2.12	4.59	4.72	—	—	—	0.57
1.875	5.48	2.63	2.94	2.57	1.46	2.12	3.75	3.88	—	—	—	0.58
1.875 (OS)	5.99	3.53	3.81	2.57	1.46	2.12	4.65	4.78	—	—	—	0.57
2.000	5.48	2.75	3.19	2.70	1.46	2.12	4.14	4.27	—	—	—	0.58
2.125	5.99	2.88	3.44	2.82	1.46	2.12	4.26	4.39	4.51	—	—	0.70
2.125 (OS)	6.99	3.86	4.25	2.82	1.46	2.12	5.09	5.22	5.34	—	—	0.69
2.250	5.99	3.00	3.46	2.95	1.46	2.12	4.38	4.51	4.63	—	—	0.70
2.375	5.99	3.13	3.62	3.07	1.46	2.12	4.57	4.70	4.82	—	—	0.70
2.375 (OS)	8.39	4.11	4.50	3.07	1.46	2.12	5.34	5.47	5.59	—	—	0.69
2.500	6.45	3.25	3.81	3.20	1.46	2.12	4.63	4.76	4.88	—	—	0.70
2.500 (OS)	7.76	4.48	5.25	3.20	1.46	2.12	6.09	6.22	6.34	—	—	0.69
2.625	6.45	3.38	3.94	3.32	1.46	2.12	5.01	5.14	5.26	—	—	0.70
2.625 (OS)	6.98	4.55	4.78	3.32	1.46	2.12	5.62	5.75	5.87	—	—	0.69
2.750	7.71	3.75	4.45	3.68	1.93	2.51	—	5.42	5.55	—	—	0.70
2.750 (OS)	7.89	4.45	4.76	3.68	1.93	2.51	—	5.84	5.97	6.09	—	0.82
2.875	7.83	3.88	4.57	3.79	1.93	2.51	—	5.50	5.63	—	—	0.70
3.000	7.94	4.00	4.70	3.92	1.93	2.51	—	5.65	5.78	—	—	0.70
3.000 (OS)	8.64	4.92	5.37	3.92	1.93	2.51	—	6.45	6.58	6.70	—	0.94
3.125	7.99	4.13	4.82	4.04	1.93	2.51	—	5.80	5.93	—	—	0.70
3.250	8.19	4.25	4.95	4.17	1.93	2.51	—	5.93	6.06	—	—	0.70
3.375	8.31	4.38	5.07	4.29	1.93	2.51	—	6.02	6.15	6.27	—	0.82
3.375 (OS)	8.39	4.95	5.23	4.29	1.93	2.51	—	6.33	6.45	6.58	—	0.82
3.500	8.44	4.50	5.20	4.42	1.93	2.51	—	6.19	6.31	6.44	—	0.82
3.625	8.49	4.63	5.32	4.54	1.93	2.51	—	6.32	6.44	6.57	—	0.82
3.750	8.72	4.75	5.45	4.67	1.93	2.51	—	6.39	6.51	6.64	—	0.82
3.750 (OS)	9.76	5.95	6.38	4.67	1.93	2.51	—	7.46	7.59	—	—	0.69
3.875	8.84	4.88	5.57	4.79	1.93	2.51	—	6.52	6.65	6.77	—	0.82
4.000	8.96	5.00	5.70	4.92	1.93	2.51	—	6.66	6.79	6.91	—	0.82
4.125	8.99	5.13	5.82	5.04	1.93	2.51	—	6.78	6.91	7.03	—	0.82
4.125 (OS)	9.76	5.95	6.25	5.04	1.93	2.51	—	7.33	7.45	7.58	—	0.94
4.250	8.99	5.25	5.95	5.17	1.93	2.51	—	6.92	7.04	7.17	—	0.82
4.375	9.34	5.38	6.07	5.29	1.93	2.51	—	7.03	7.16	7.28	—	0.82
4.500	9.49	5.50	6.20	5.42	1.93	2.51	—	7.18	7.31	7.43	—	0.82
4.500 (OS)	12.49	6.73	7.48	5.42	1.93	2.51	—	8.56	8.68	8.81	—	0.89
4.625	9.49	5.63	6.32	5.54	1.93	2.51	—	7.28	7.41	7.53	—	0.82
4.750	10.49	5.75	6.45	5.67	1.93	2.51	—	7.41	7.53	7.66	—	0.82
4.750 (OS)	11.39	7.20	7.63	5.67	1.93	2.51	—	8.71	8.84	8.96	—	0.82

Chesterton ISO certificates available on chesterton.com/corporate/iso

AXIUS™ is a trademark owned by A.W. Chesterton Company.

Technical data reflects results of laboratory tests and is intended to indicate general characteristics only. A.W. Chesterton Company disclaims all warranties express or implied, including warranties of merchantability and fitness for a particular purpose. Liability, if any, is limited to product replacement only. Any images contained herein are for general illustrative or aesthetic purposes only and are not intended to convey any instructional, safety, handling or usage information or advice respecting any product or equipment. Please refer to relevant Safety Data Sheets, Product Data Sheets, and/or Product Labels for safe use, storage, handling, and disposal of products, or consult with your local Chesterton sales representative.

© 2024 A.W. Chesterton Company

® Registered trademark owned by A.W. Chesterton Company in USA and other countries, unless otherwise noted.

Distributed by: